

Flush Mounted Box for VTO1210B-X/VTO1220BW

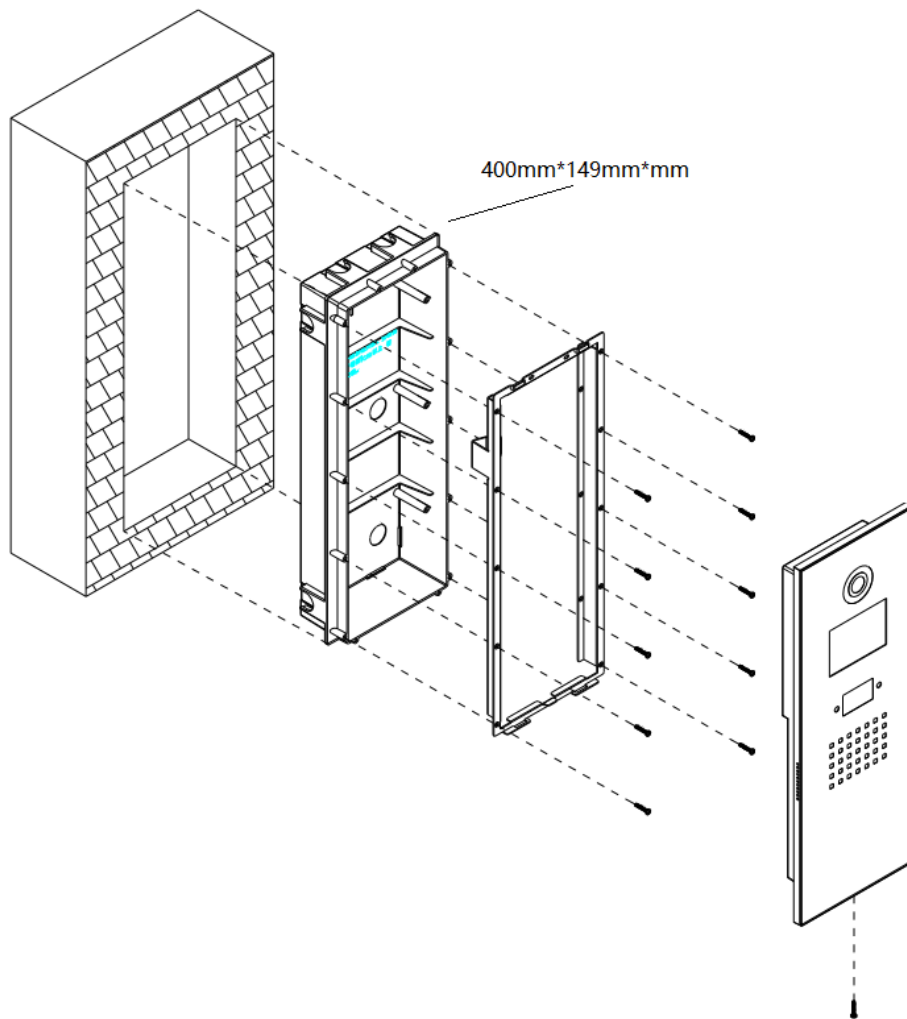


Features

- Material: Plastic
- Size: 400mm*149mm*63mm
- Weight:0.5 Kg
- Flush mounted box

Installation

- a) Put the Plastic box in the wall.
- b) Put the bracket in on the plastic box. Use 8 ST3 x 18 screws to fix
- c) Secure the device on the installation bracket. Use 1 M3×16 screws to fix



Dahua Technology Co., Ltd.

1199BinAn Road, Binjiang District, Hangzhou, China

Tel: +86-571-87688883

Fax: +86-571-87688815

Email:overseas@dahuatech.com

www.dahuatech.com